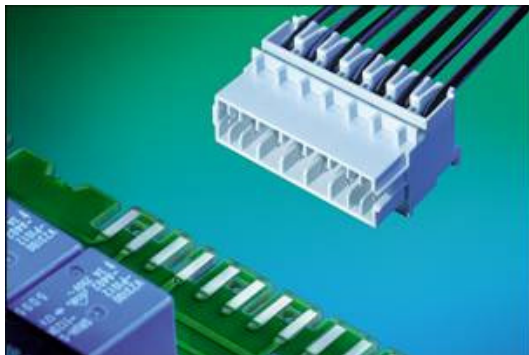
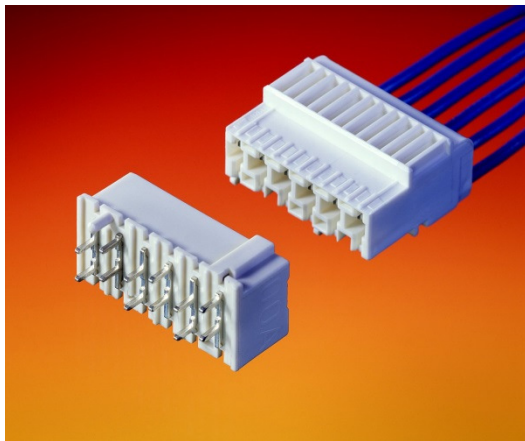


## ECO-DOMO



### Description of system

- Direct and indirect connector with IDC termination in accordance with the RAST 5 standard specifications for domestic appliances, with locking features inside or outside
- Direct connector with central polarizing and polarizing pegs at sides
- Locking features for PCB
- Cable exit 90° and 180° in according to RAST 5
- Versions for vertical or horizontal PC board assembly, see series ECO-FLEX M



## ECO-DOMO

### Technische Daten

#### Mechanical

Pitch		5 mm
Positions	Direct connector	2-12
	Indirect connector	1-12
Locking features	Direct connector	PCB
	Indirect connector	Inside and outside
Termination		IDC
Wire size	Direct connector	0.50 – 0.75 mm <sup>2</sup>
	Indirect connector	0.35 -1.5 mm <sup>2</sup>
Insulation Ø		3.0 mm
	Cable exit 180°	max. < 2.4 mm
Type of wire		stranded
Temperature range		- 40°C ...+ 110°C

#### Electrical

Rated current	Direct connector	6 A
	Indirect connector	16 A
Rated voltage	ECO-DOMO	400 V
	ECO-DOMO NF	250 V
Dielectrical strength		≥ 3.0 kV
Insulation resistance		≥ 10 <sup>9</sup> Ω
Contact resistance		≤ 5 m Ω
Air gap		≥ 3 mm
Creeping distance	ECO-DOMO	≥ 3 mm
	ECO-DOMO NF	≥ 3.6 mm
Tracking resistance	ECO-DOMO	CTI ≥ 600
	ECO-DOMO N	CTI ≥ 400
Approved by		DIN EN 61984 (IEC 61984) UL / ULC E96569

## ECO-DOMO

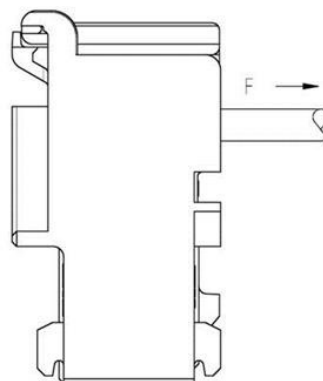
### Technische Daten

#### Materials

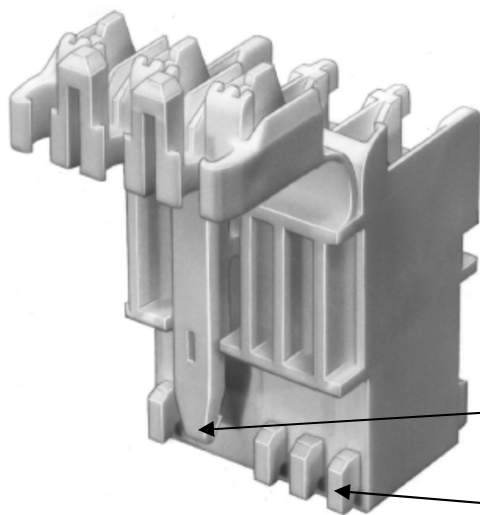
Contact		CuSn
Contact finishing		Sn
Housing	ECO-DOMO ECO-DOMO NF	PBT PA, glow wire resistant, GWT 750°C acc. To IEC 60335-1 natural
Color of housing		

#### Wire extraction force

Wire size	pull-out strength
0.50 mm <sup>2</sup>	> 50 N
0.75 mm <sup>2</sup>	> 60 N
1.00 mm <sup>2</sup>	> 70 N
1.50 mm <sup>2</sup>	> 150 N



## ECO-DOMO



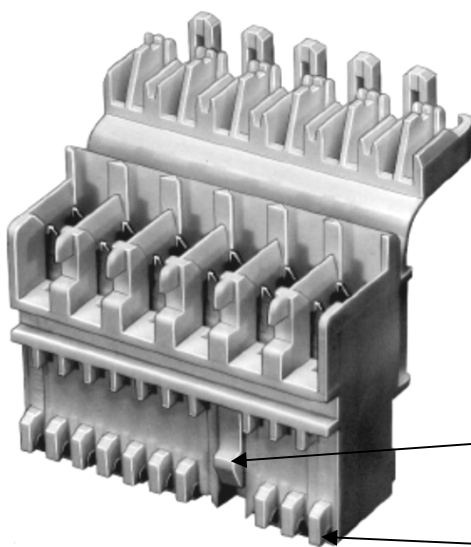
### Housings MF 9260

Indirect connector for discrete wire,  
with locking feature outside

2 – 12 way

Locking feature outside

Coding



### Housings MF 9261

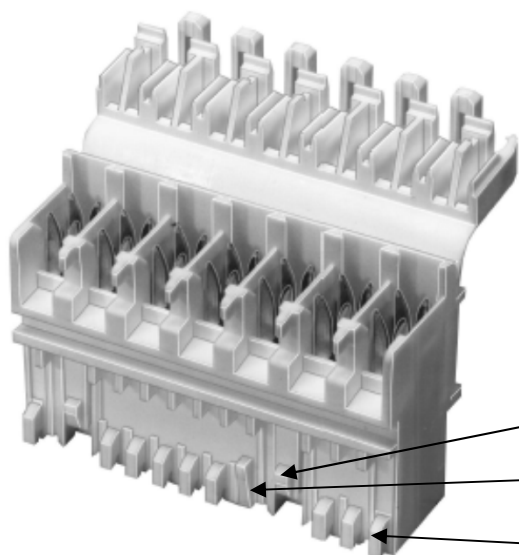
Indirect connector for discrete wire,  
with locking feature inside

4 – 12 way

Locking feature inside

Coding

## ECO-DOMO



### Housings MF 9264

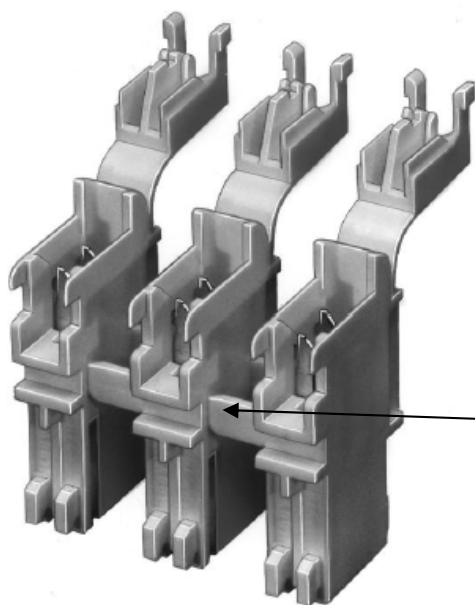
Indirect connector with alternative locking peg instead of polarizing pin

2 – 12 way

Locking feature inside

Locking peg

Coding



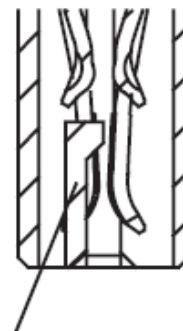
### Housings MF 9285

Indirect connector with locking feature for tabs

1 way

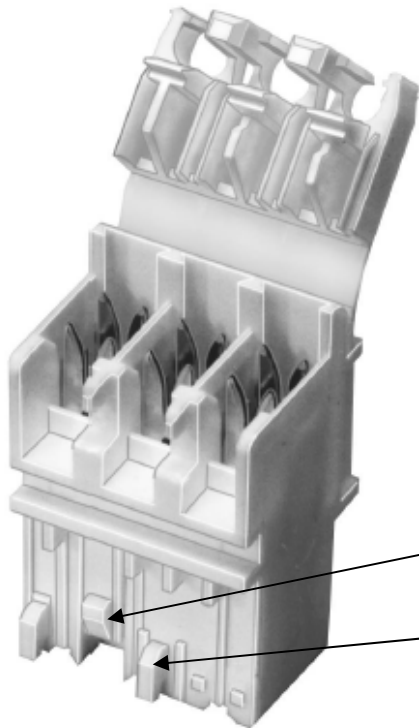
2 way or 3 way in chain

Chain



Tab locking

## ECO-DOMO



### Housings MF 9286

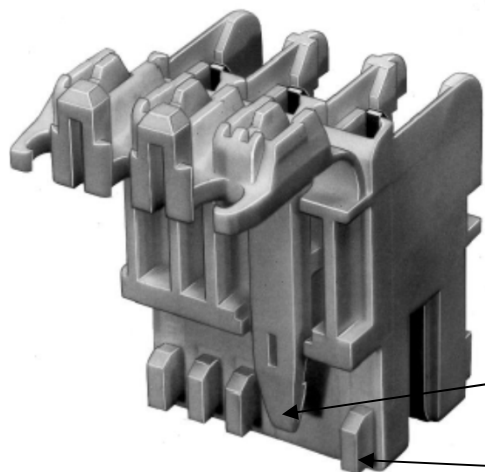
Indirect connector with locking features for tabs, with locking feature inside

2 and 3 way

Locking feature inside

Coding

## ECO-DOMO



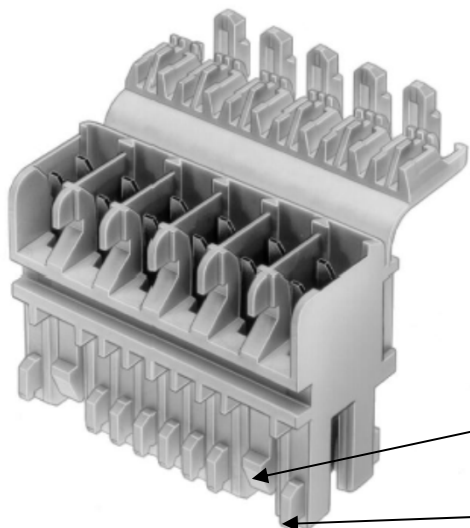
### Housings MF 9270

Direct connector for discrete wire, with locking feature outside

2 – 12 way

Locking feature outside

Coding



### Housings MF 9271

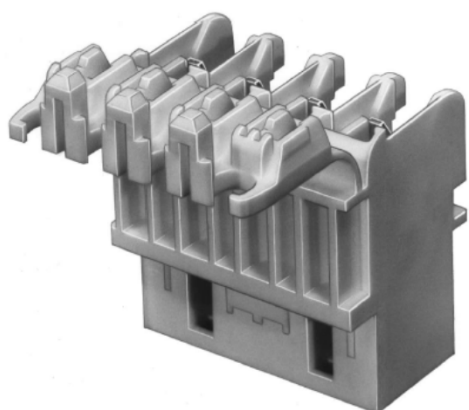
Direct connector for discrete wire with locking feature inside

2 – 12 way

Locking feature inside

Coding

## ECO-DOMO

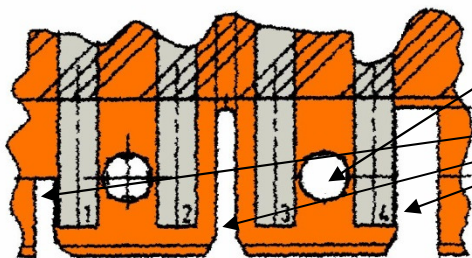


### Housings MF 9290

Direct connector with central polarizing pegs, polarizing pegs at sides and locking features

2 – 12 way

no coding and locking elements

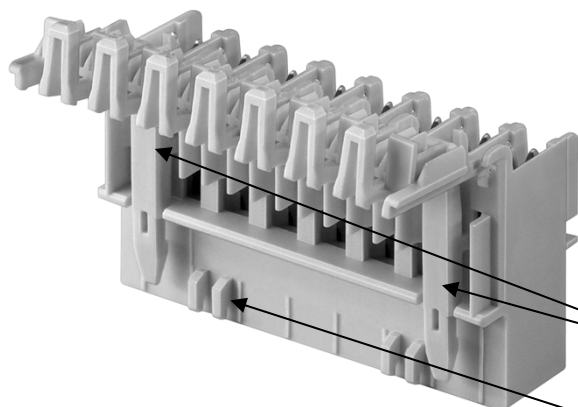


locking features: inside the PCB-slot, it works together with holes in the PCB

coding elements: partition walls and closed outside walls work together with slot within PCB.



## ECO-DOMO



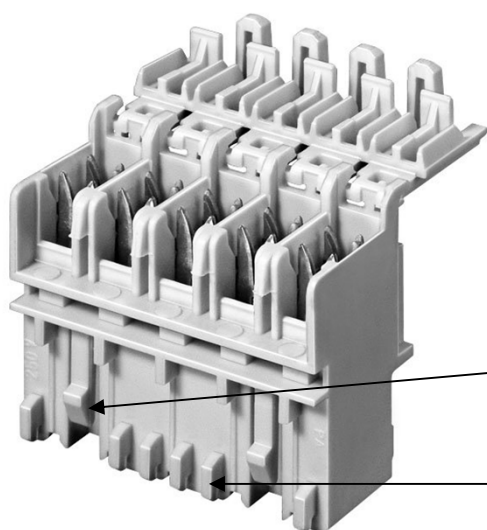
### Housings MF 9560

Indirect connector for discrete wire with locking feature outside

4 – 12 way

Locking feature outside

Coding



### Housings MF 9561

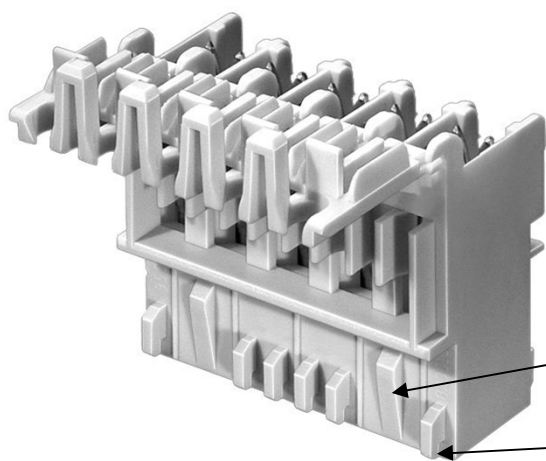
Indirect connector for discrete wire with locking feature inside

4 – 12 way

Locking feature inside

Coding

## ECO-DOMO



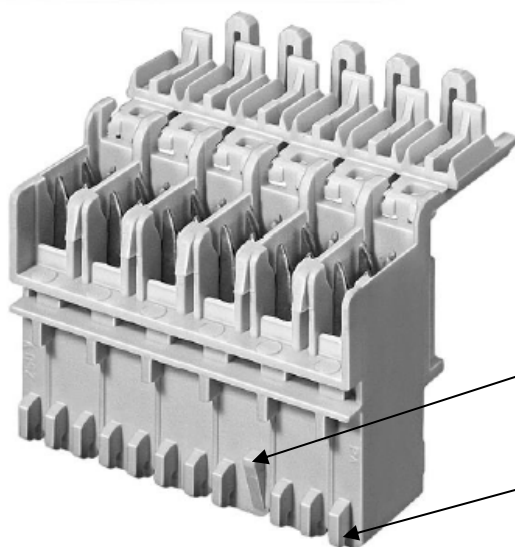
### Housings MF 9562

Indirect connector with alternative locking peg

2 – 12 way

Locking peg

Coding



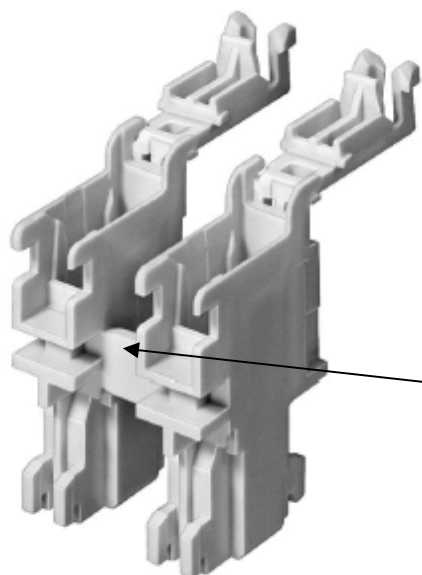
### Housings MF 9564

Indirect connector with alternative locking peg instead of polarizing pin

special designed coding element used as a locking feature

Coding

## ECO-DOMO



### Housings MF 9585

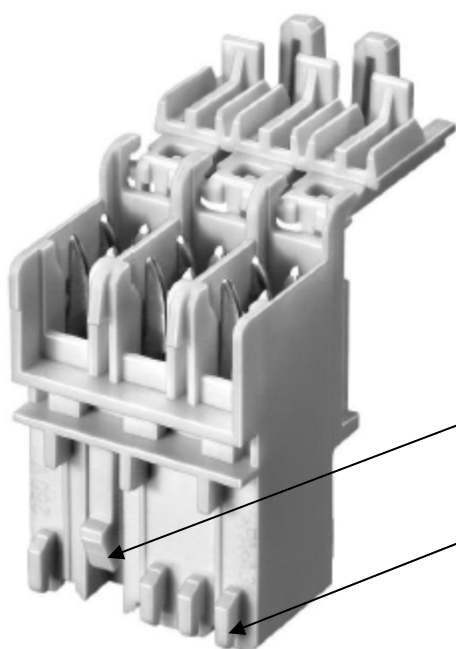
Indirect connector with locking feature for tabs

1 way  
2 or 3 Housings in chain

Chain



Tab locking



### Housings MF 9586

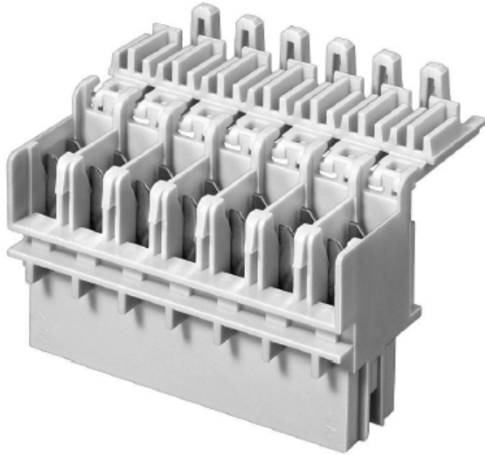
Indirect connector with locking feature for tabs, with locking feature inside

2 an 3 way

Locking feature inside

Coding

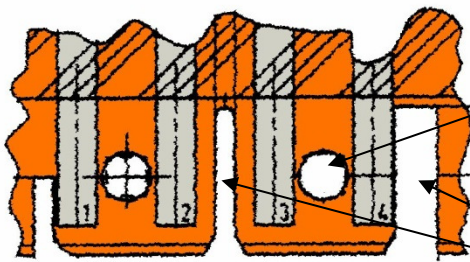
## ECO-DOMO



### Housings MF 9590

**Direct connector with central polarizing pegs, polarizing pegs at sides and locking features**

**2 – 12 way**



**no coding and locking elements**

**locking features: inside the PCB-slot, it works together with holes in the PCB**

**coding elements: partition walls and closed**

**outside walls work together with slot within PCB.**

## ECO-DOMO

### Terminating technology



#### **InTeCon**

Fully automated terminating machine for connector systems ECO-DOMO NF



#### **Komax ZETA 633 with STOCKMAT ECO-DOMO WT 155**

Attaching STOCKMAT ECO-DOMO/ECO-DOMO NF professional line respectively to crimping automation ZETA 633 for a fully automated single sided IDC termination.



#### **STOCKMAT ECO-DOMO professional line WT 155**

Semi-automated machine for the insulation displacement termination of ECO-DOMO housings

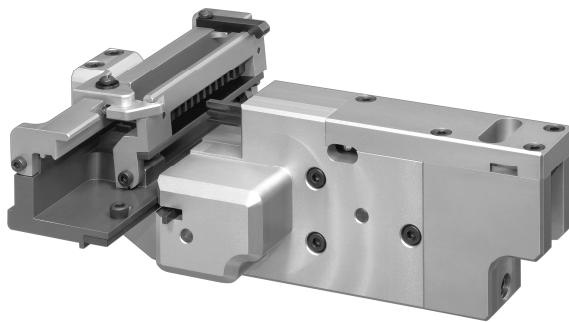
## ECO-DOMO

### Terminating technology



### STOCKOMAT ECO-DOMO WT 255

Semi-automated machine for terminating connector system ECO-DOMO.



### Tool head WK/P-ED 030 pre-line

The tool head is suitable for hand grip WZ 63 and hand lever press WT 3



### WZ -ED Service hand tool

Terminating tool for the ECO-DOMO connector system in insulation displacement version, pitch 5 mm