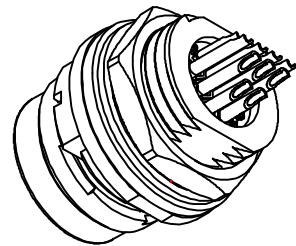
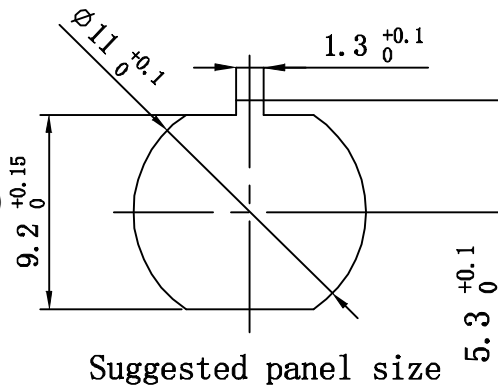


technical requirements:

1. Operating temperature :  $-25^{\circ}\text{C} \sim +85^{\circ}\text{C}$
2. Rated current : 2A
3. Rated Voltage : 100V
4. contact resistance:  $< 10\text{m}\Omega$ .
5. Mating Cycle :  $> 1000$  times(Mating and Unmating)
6. RoHS Compliance



7	0.6 contact pin	CNT13-259-0323-2AU	7 PCS
6	0.6 contact pin	CNT13-259-0322-2AU	5 PCS
5	hexagonal nut	CNT03-340-0060-NI	1 PCS
4	Stop washer	CNT13-351-0229-NI	1 PCS
3	gasket	CNT03-510-0217	1 PCS
2	Elastic ring	CNT13-334-0010-BK	1 PCS
1	Socket housing	CNT13-601-0113-BK	1 PCS
serial number	name	model	quantity

design		name	Floating socket	version		unit	
proofread		model	CNT13H30-0812ZPH-01	A/0		mm	
check		figure number	801130421622	A4			
approve				<b>Cian Shin Industrial Co., Ltd</b>			