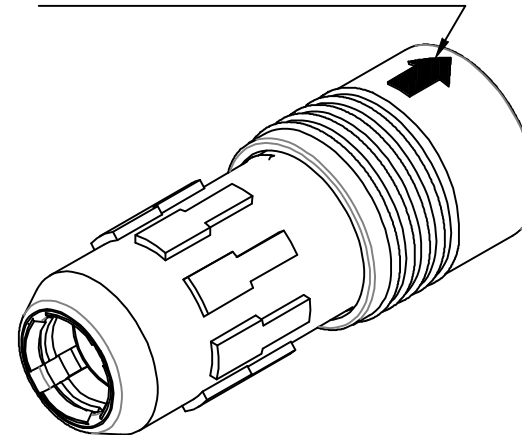


technical requirements:

1. Operating temperature : $-25^{\circ}\text{C} \sim +85^{\circ}\text{C}$
2. Rated current : 2A
3. Rated Voltage : 100V
4. contact resistance: $< 10\text{m}\Omega$.
5. Mating Cycle : > 1000 times(Mating and Unmating)
6. RoHS Compliance

Screen printing white at the mark.



9	cable clip	CNT13-301-0338-BK	1 PCS
8	seal cartridge	CNT13-511-0225	1 PCS
7	socket	CNT13-233-0303-2AU	7 PCS
6	socket	CNT13-233-0302-2AU	5 PCS
5	Tail shell	CNT13-607-0228-BK	1 PCS
4	spring	CNT13-335-0241	1 PCS
3	adapter sleeve	CNT13-605-0246	1 PCS
2	O-ring	CNT03-510-0216	1 PCS
1	Plug housing	CNT13-604-0242-BK	1 PCS
serial number	name	model	quantity

design		name	Micro connector	version		proportion		unit	
proofread		model	CNT13H30-0812TSH-01		A/0			mm	
check		figure number	801130211791		A4				
approve				Cian Shin Industrial Co., Ltd					