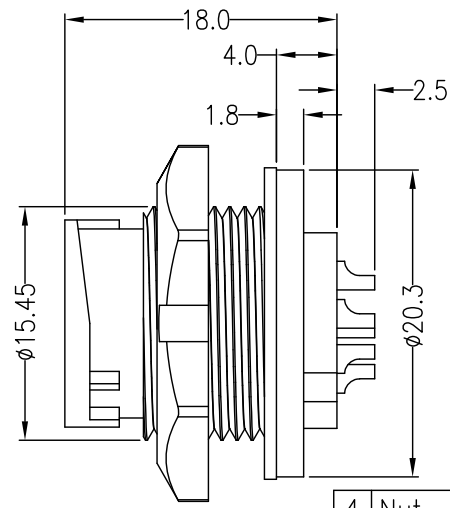
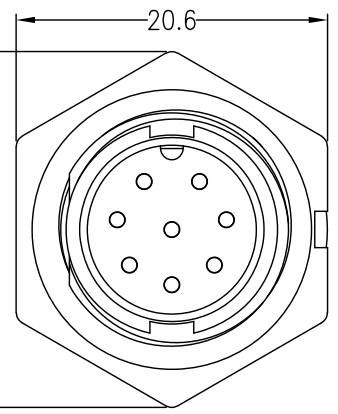
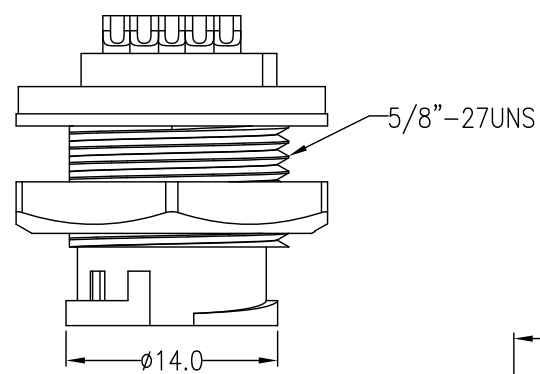


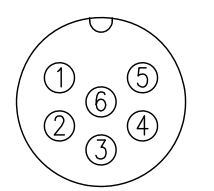
REV.	ECN NO.	DATE	SIGN	DESCRIPTION
01	Initial Release	2021/07/07	Ann	New Item



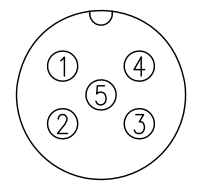
Part No.:  
CBDXX-MMPF-LS0-F0

- 02: 2Pin
- 03: 3Pin
- 04: 4Pin
- 05: 5Pin
- 06: 6Pin
- 07: 7Pin
- 08: 8Pin

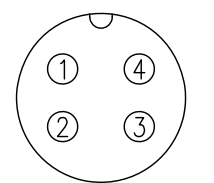
Note:  
 \* IP Grade: IP67  
 \* Rated current: 5A  
 \* Rated voltage: 250V



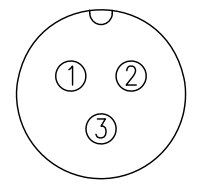
6 Pin



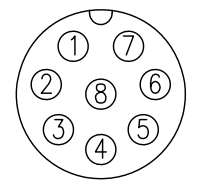
5 Pin



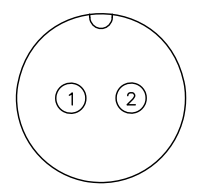
4 Pin



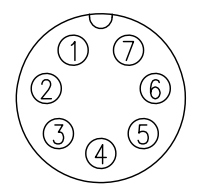
3 Pin



8 Pin

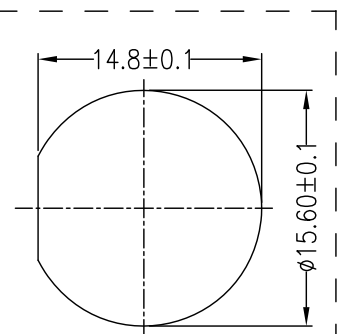


2 Pin



7 Pin

Pin Assignments  
Front View



Recommend  
Panel Cut-Out



NO.	ITEM	SPEC	QTY
4	Nut	Nylon,Black	1
3	O-Ring	Silicone	1
2	Pin	Copper Alloy,Gold Plated	N
1	Housing	Nylon,Black	1

BOM LIST

謙鑫實業股份有限公司  
Cian Shin Industrial Co., Ltd

⊕ All dimension in mm

TOLERANCE UNLESS OTHERWISE SPECIFIED	REV.
±0.5	01
	SCALE
	1:1

DRAWN BY Ann	APPROVED BY Roy	DATE(Y/M/D) 2021/07/07	PAGE 1/1	SIZE A4
-----------------	--------------------	---------------------------	-------------	------------

PART NO.: CBDXX-MMPF-LS0-F0	TITLE CIRCULAR STANDARD(LOCK),PANEL
CUSTOMER NO.:	

THIS DOCUMENT IS CONFIDENTIAL AND A PROPERTY OF PRODACONN. DISCLOSURE TO THIRD PARTY HAS TO BE AUTHORIZED BY PRODACONN.