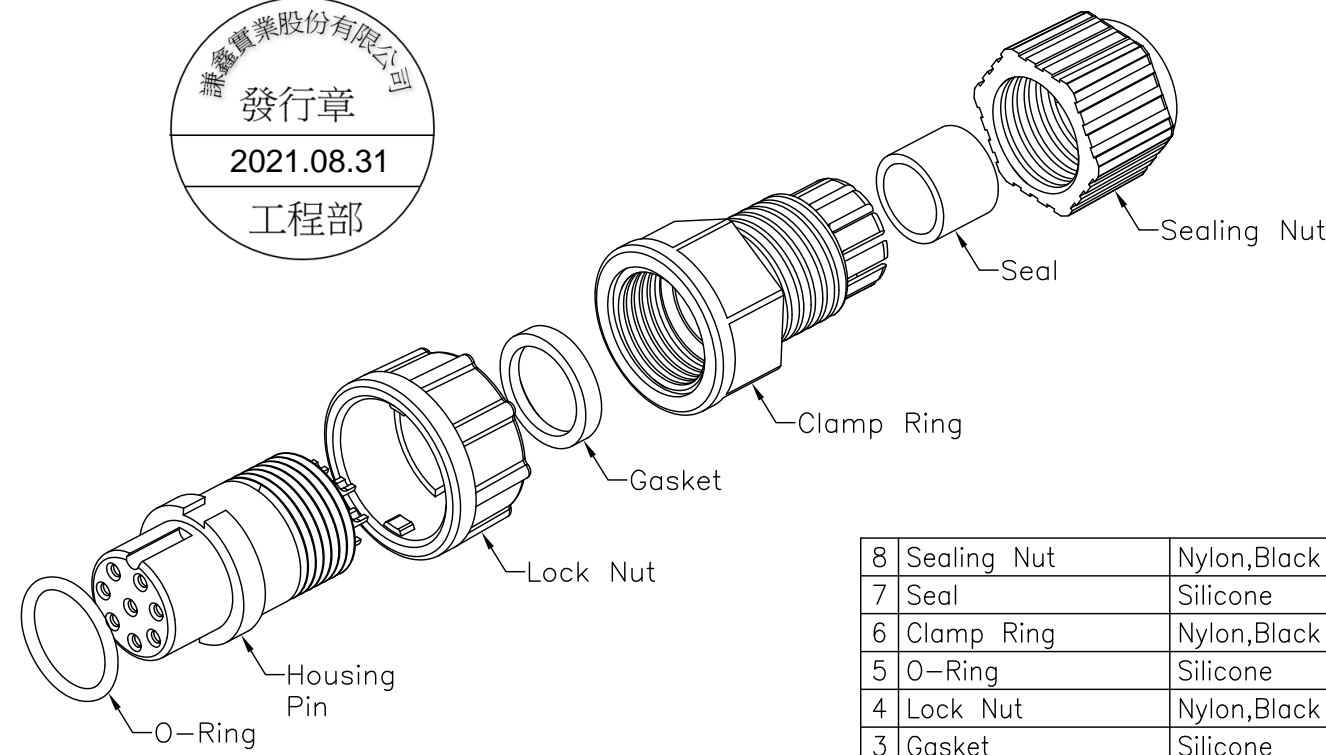


REV.	ECN NO.	DATE	SIGN	DESCRIPTION
01	Initial Release	2021/08/13	Ann	New Item



Note:
 * IP Grade: IP67
 * Rated current: 5A
 * Rated voltage: 250V

8	Sealing Nut	Nylon,Black	1
7	Seal	Silicone	1
6	Clamp Ring	Nylon,Black	1
5	O-Ring	Silicone	1
4	Lock Nut	Nylon,Black	1
3	Gasket	Silicone	1
2	Pin	Copper Alloy,Gold Plated	8
1	Housing	Nylon,Black	1
NO.	ITEM	SPEC	QTY

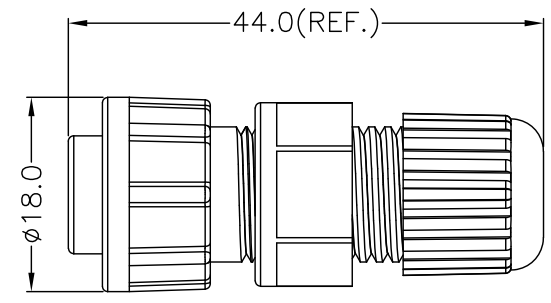
BOM LIST

謙鑫實業股份有限公司
 Cian Shin Industrial Co., Ltd

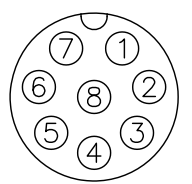
All dimension in mm	
TOLERANCE UNLESS OTHERWISE SPECIFIED	REV. 01
.X ±0.25	SCALE 1:1
.XX ±0.1	
.XXX ±0.05	
ANGLES ±1°	

DRAWN BY Ann	APPROVED BY Roy	DATE(Y/M/D) 2021/08/13	PAGE 1/1	SIZE A4
--------------	-----------------	------------------------	----------	---------

PART NO: CBD08-FFAP-LSO-FO	TITLE: CIRCULAR STANDARD(LOCK),ASSY
CUSTOMER NO:	



CABLE OD ϕ 4.5mm ~6.5mm



Pin Assignments
 Front View