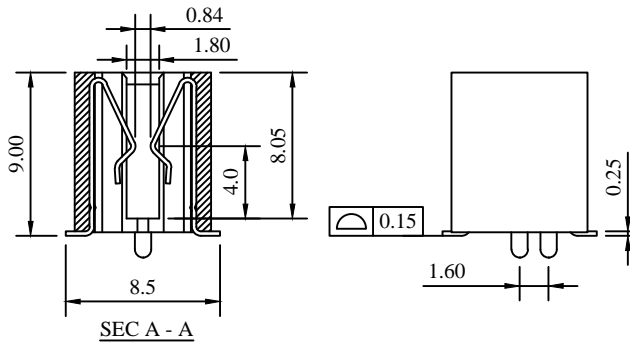
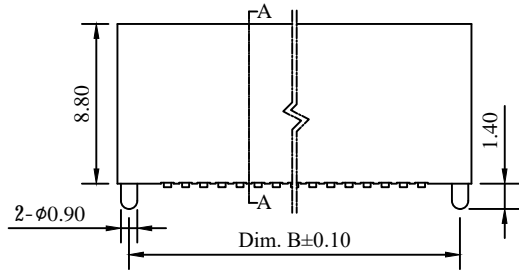
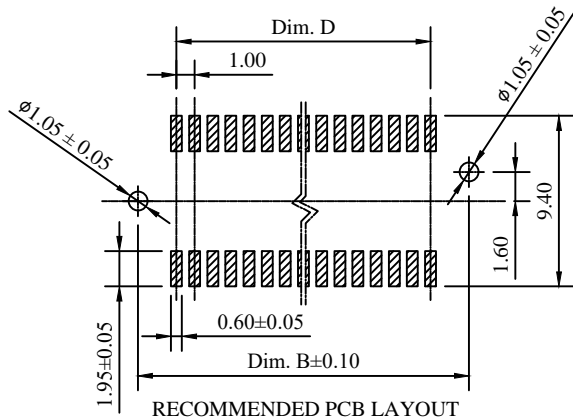


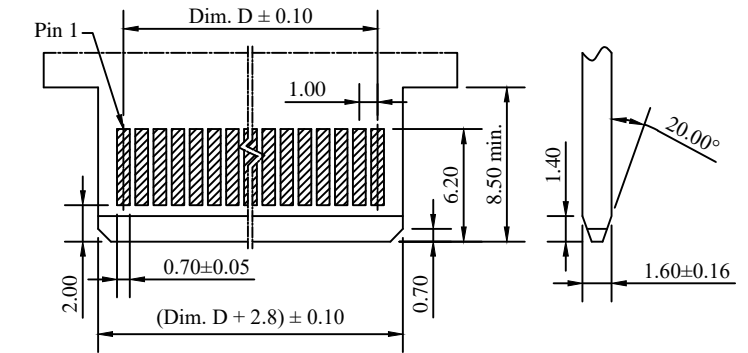
CAP DIMENSION



SEC A - A



RECOMMENDED PCB LAYOUT



RECOMMENDED PCB LAYOUT

7000M SERIES (Pitch 1.00 mm SMT Type)

FEATURE

Insulator Material : LCP UL94V-0
 Contact Material : Phosphor Bronze
 Plating : Selective Gold Plating Over Contact Area
 100μ" min. Matte Tin Plating On Solder Area
 50μ" min. Nickel Underplating Overall

SPECIFICATION

Current Rating : 1.1 Ampere
 Contact Resistance : 30 milliohms maximum
 Insulation Resistance : 1000 megohms minimum
 Voltage Rating : 500 VAC RMS 1 minute
 Operation Temperature Range : -55°C to +105°C

ORDERING INFORMATION

7000M - □□□ - □ - □ - □
No. of Contacts □ **Other Custom Options** □
Plating Code □ **Cap / Film** □
 N : None
 C : Cap
 F : Film

No. of Contacts	Dimensions (Dim.)				No. of Contacts	Dimensions (Dim.)			
	A	B	C	D		A	B	C	D
5/10	9.50	8.24	7.00	4.00	30/60	34.50	33.24	32.00	29.00
8/16	12.50	11.24	10.00	7.00	36/72	40.50	39.24	38.00	35.00
10/20	14.50	13.24	12.00	9.00	40/80	44.50	43.24	42.00	39.00
16/32	20.50	19.24	18.00	15.00	60/120	64.50	63.24	62.00	59.00
20/40	24.50	23.24	22.00	19.00	80/160	84.50	83.24	82.00	79.00

Polarization	
No. of Contacts	Polarized Positions (No Contact)
5/10	03, 04
8/16	05, 06
20/40	15, 16
30/60	21, 22
40/80	31, 32
60/120	31, 32, 63, 64

Plating Code	
1	10μ"
2	G/F
3	3μ"
4	5μ"
5	G/F Overall
6	30μ"
7	Tin Overall
8	15μ"
9	20μ"

Title : Customer Drawing	Type : Edgecard Connector	謙鑫實業股份有限公司 Cian Shin Industrial Co., Ltd			
Part No. : 7000M Series		Tolerances Unless Otherwise Specified :			
Description : Pitch 1.00 mm Edge Card Connector SMT Type Top Insertion Type		X. ± 0.50	.X ± 0.25	.XX ± 0.10	
		.X° ± 2°	.XX° ± 1°	.XXX° ± 0.1°	
DWG No. : 010 - 0000 - 570M	Date : 06 - Mar. - 2018	Dim.	Scale	Sheet	Rev.
APPD. : James C.	CHK. : Connie Z.	mm	N/A	1 of 1	B
DRW. : Bryant C.					