

8000 SERIES

FEATURE

Insulator Material : LCP UL94V-0
 Contact Material : Phosphor Bronze
 Plating : Selective Gold Plating Over Contact Area
 100μ" min. Matte Tin Plating On Solder Area
 50μ" min. Nickel Underplating Overall

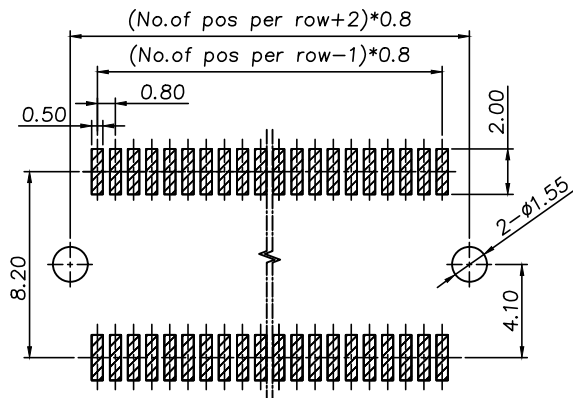
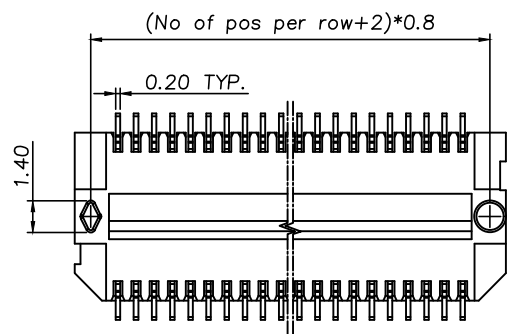
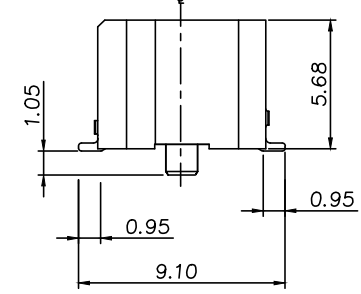
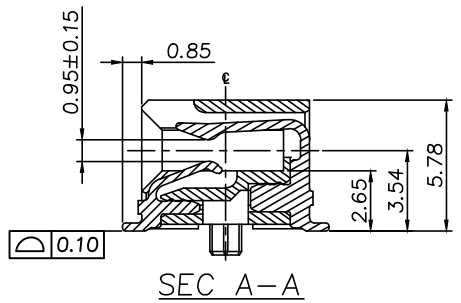
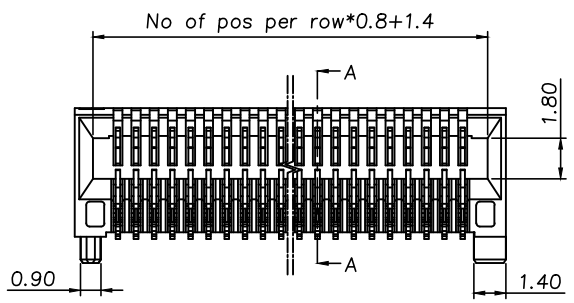
SPECIFICATION

Current Rating : 2 Ampere Per Pin
 Voltage Rating : 250 VAC
 Operation Temperature Range : -55°C to +125°C

ORDERING INFORMATION

8000 - □□□ - □ - R0 - □

No. of Contacts _____ **Other Custom Options** _____
Plating Code _____ **Packing :**
 R0 : Tape Reel



RECOMMENDED P.C.B LAYOUT
 TOP VIEW(TOLERANCE:±0.05)

Plating Code	
1	10μ"
2	G/F
3	3μ"
4	5μ"
5	G/F Overall
6	30μ"
7	Tin Overall
8	15μ"
9	20μ"

Title : Customer Drawing		Type : Edgecard Connector		謙鑫實業股份有限公司 Cian Shin Industrial Co., Ltd				
Part No. : 8000 Series				Tolerances Unless Otherwise Specified : X. ± 0.50 .X ± 0.38 .XX ± 0.25 X. ° ± .X ° ± .XX ° ±				
Description : Pitch 0.80 mm Edge Card Connector SMT Type								
DWG No. : 010 - 0000 - 580		Date : 01 - Jun. - 2017			Dim.	Scale	Sheet	Rev.
APPD. : James C.	CHK. : Connie Z.	DRW. : Bryant C.			mm	N/A	1 of 1	A